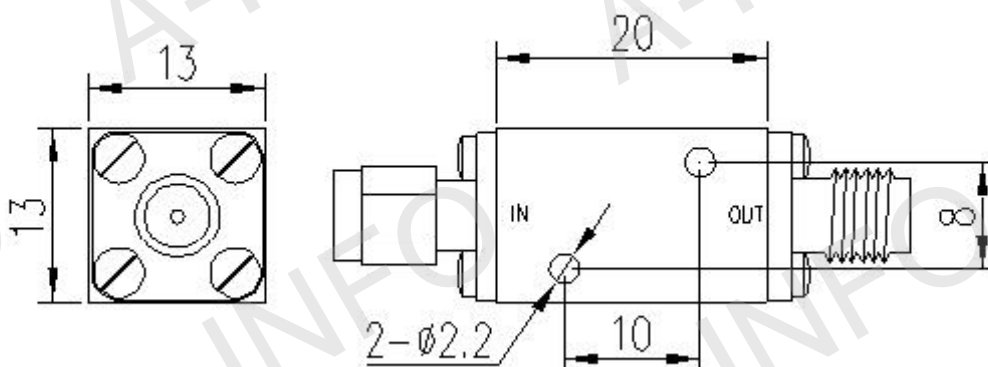


Outline Drawing (Size: mm)



Technical Specification

Item	Technical Specification
Frequency Range (GHz)	2-18
Insertion Loss (dB)	2.5 max
VSWR	2:1 max
Power Handling (W)	2 CW (@25°C)
Peak Power (W)	100
Leakage Power (dBm)	16
Operating Temperature (°C)	-55~ +85
Storage Temperature (°C)	-65~ +125
Connector	Input: SMA-Male Output: SMA-Female
Net Weight (Kg)	0.015 Around

Test Result

Frequency(GHz)	Insertion Loss(dB)	VSWR
2-18	1.81	1.67