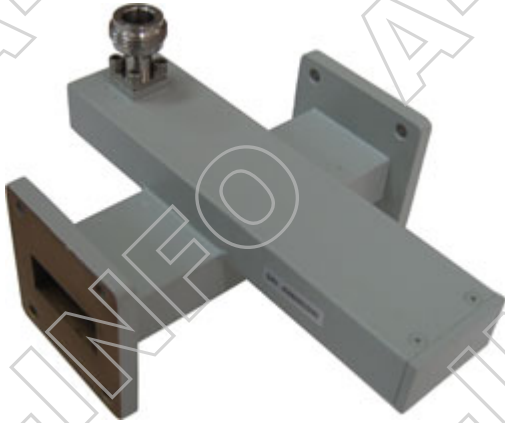
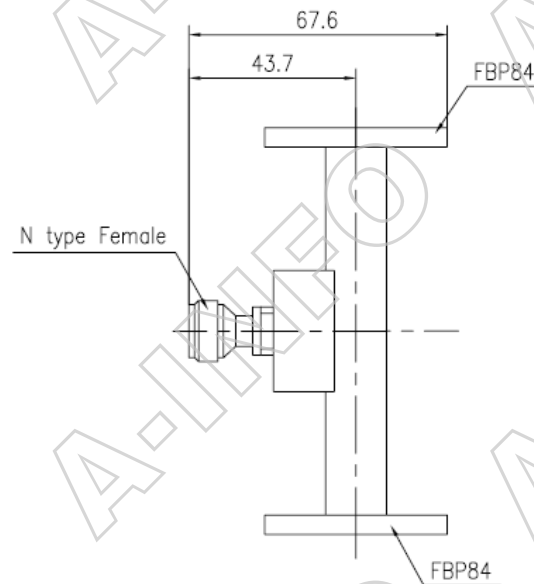
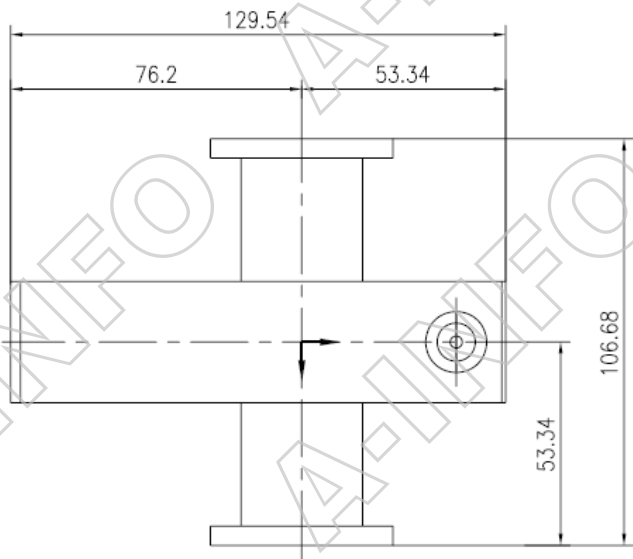


## Technical Specification

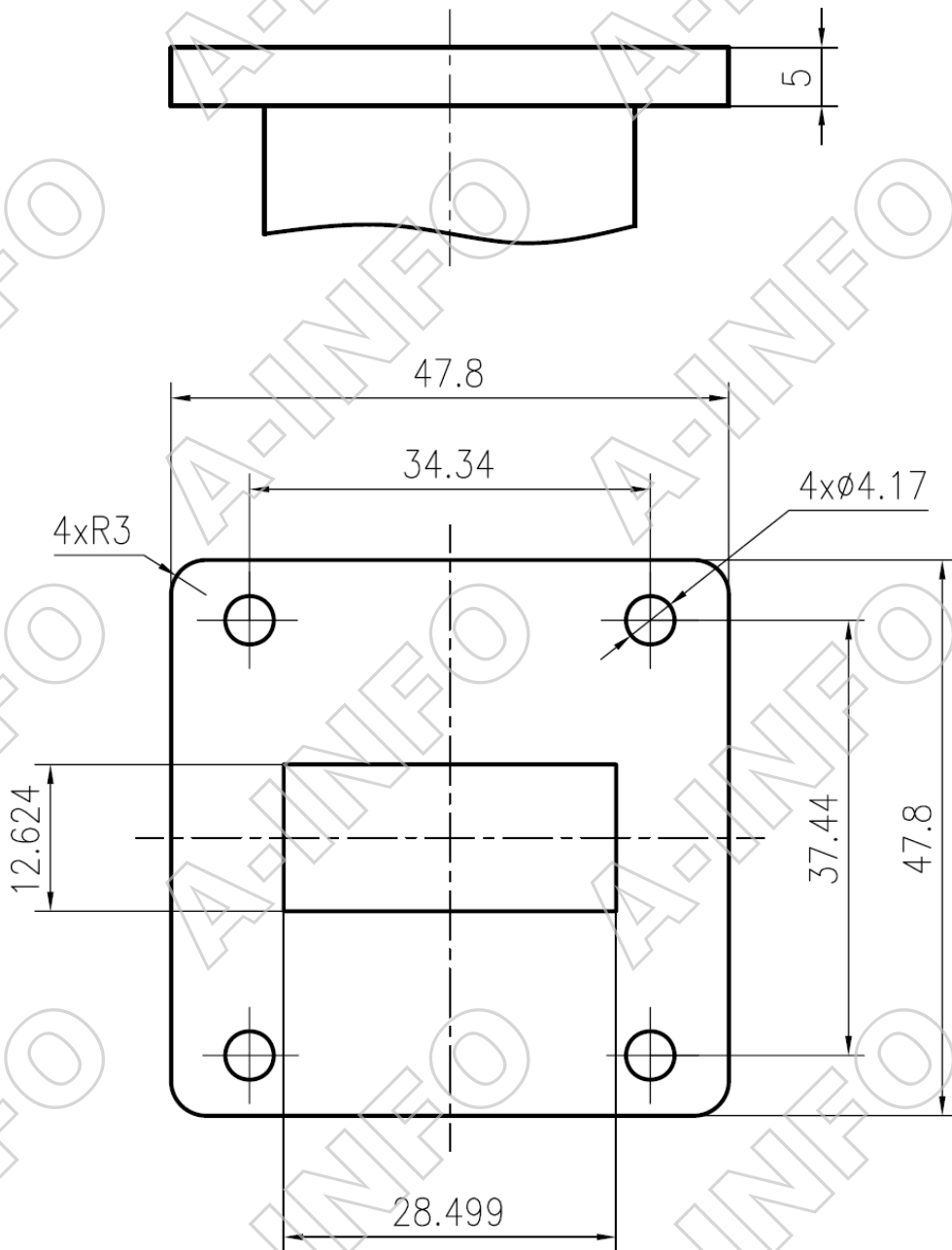


EIA WR	BJ84 (WR112)
Frequency Range(GHz)	7.05-10.0
Coupling(dB)	30
Coupling Accuracy(dB)	±0.7
Frequency Sensitivity(dB)	±1.0
Directivity(dB)	18 min
Mainline VSWR	1.10 max
Secondline VSWR	1.25 max
Flange	FBP84
Coupling Port	N-Female
Material	Al
Net Weight(Kg)	0.20 Around

## Outline Drawing (Size: mm)



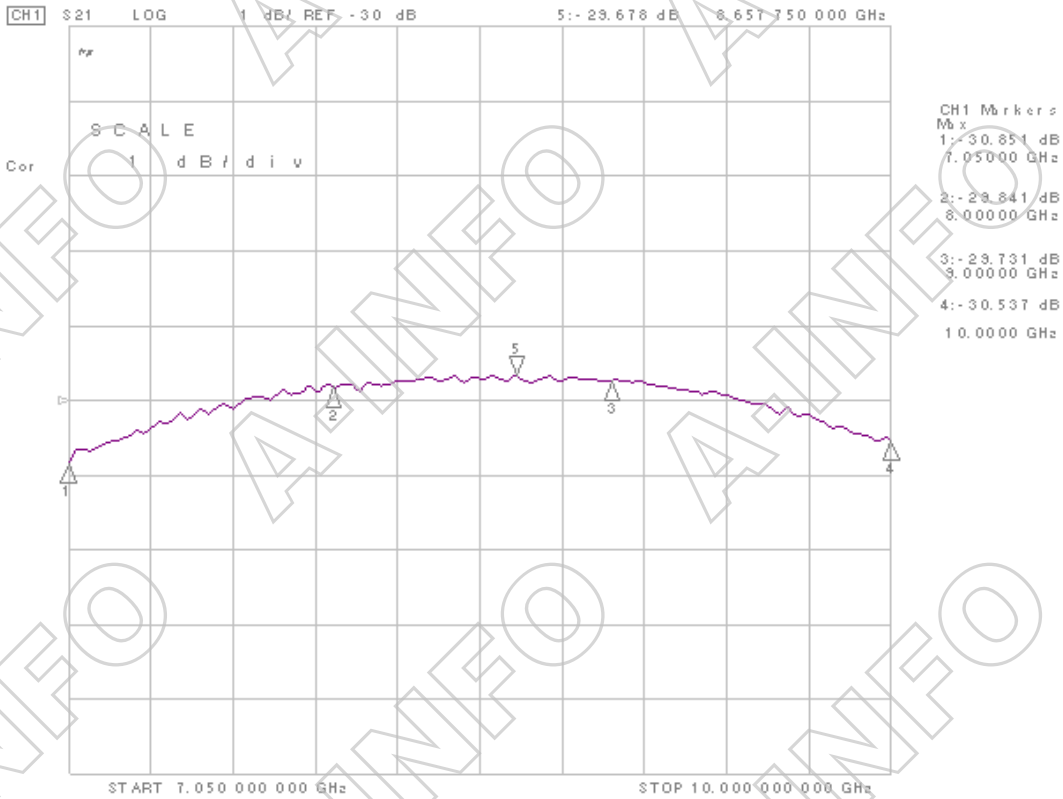
## Flange Drawing (Size: mm)



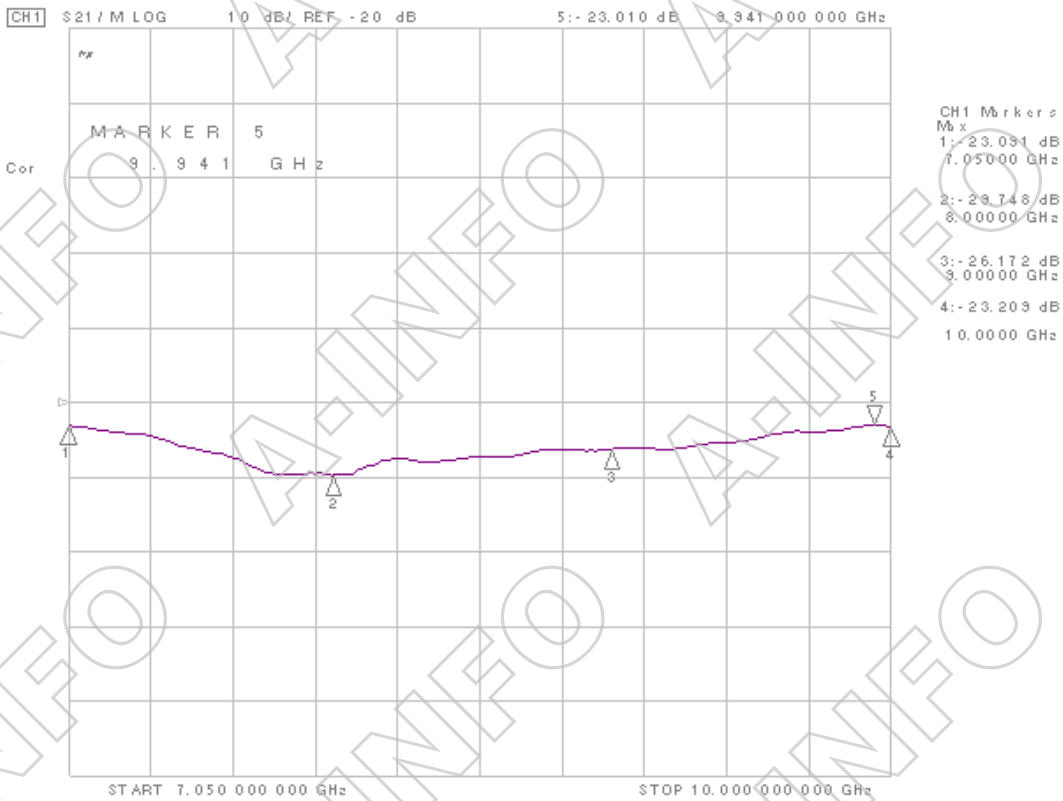
## FBP84

## Test Results

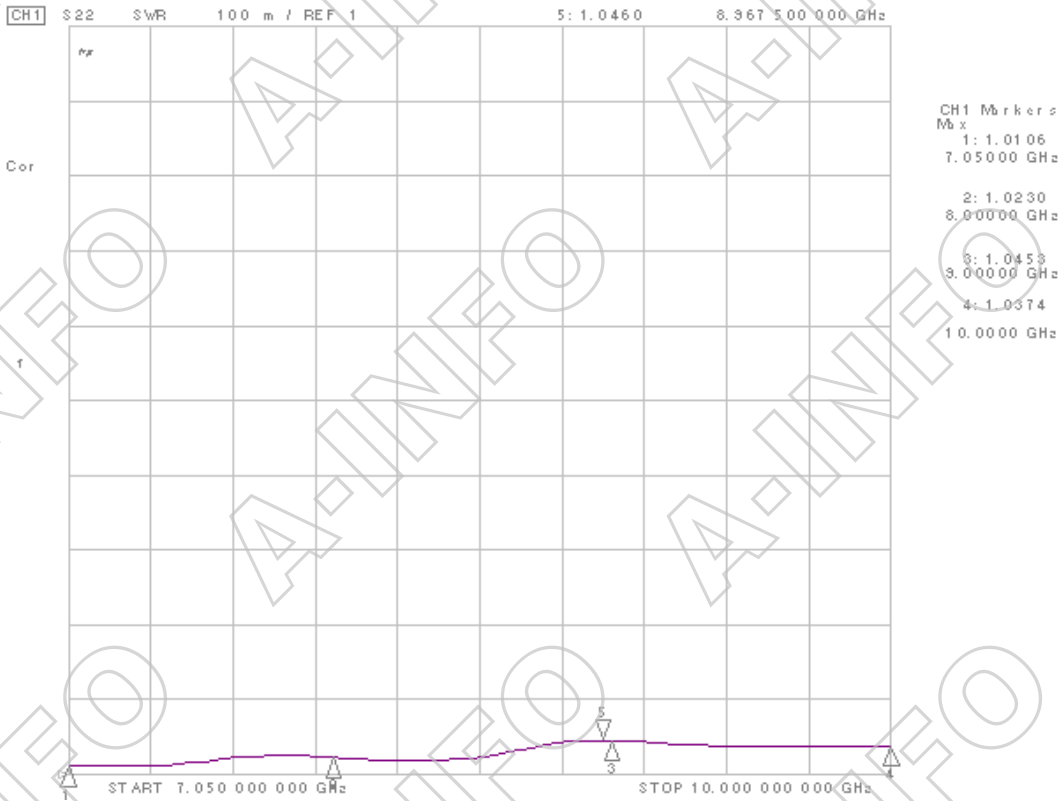
### Coupling



### Directivity



## Mainline VSWR



## Secondline VSWR

