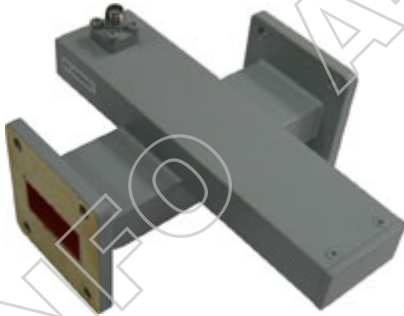
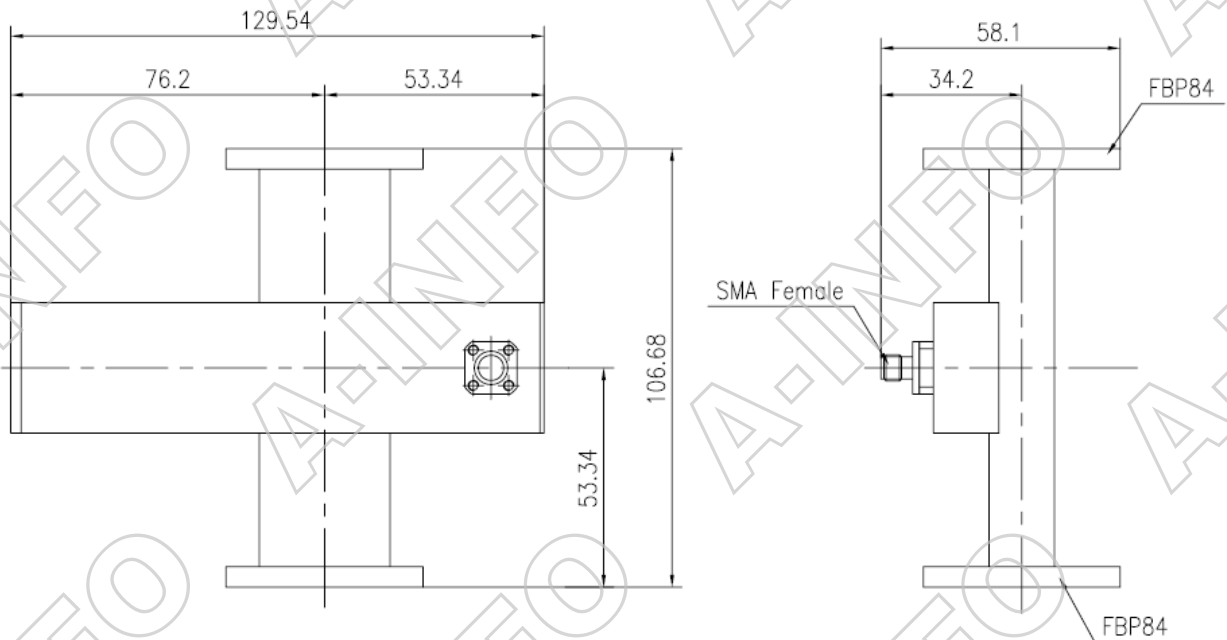


Technical Specification

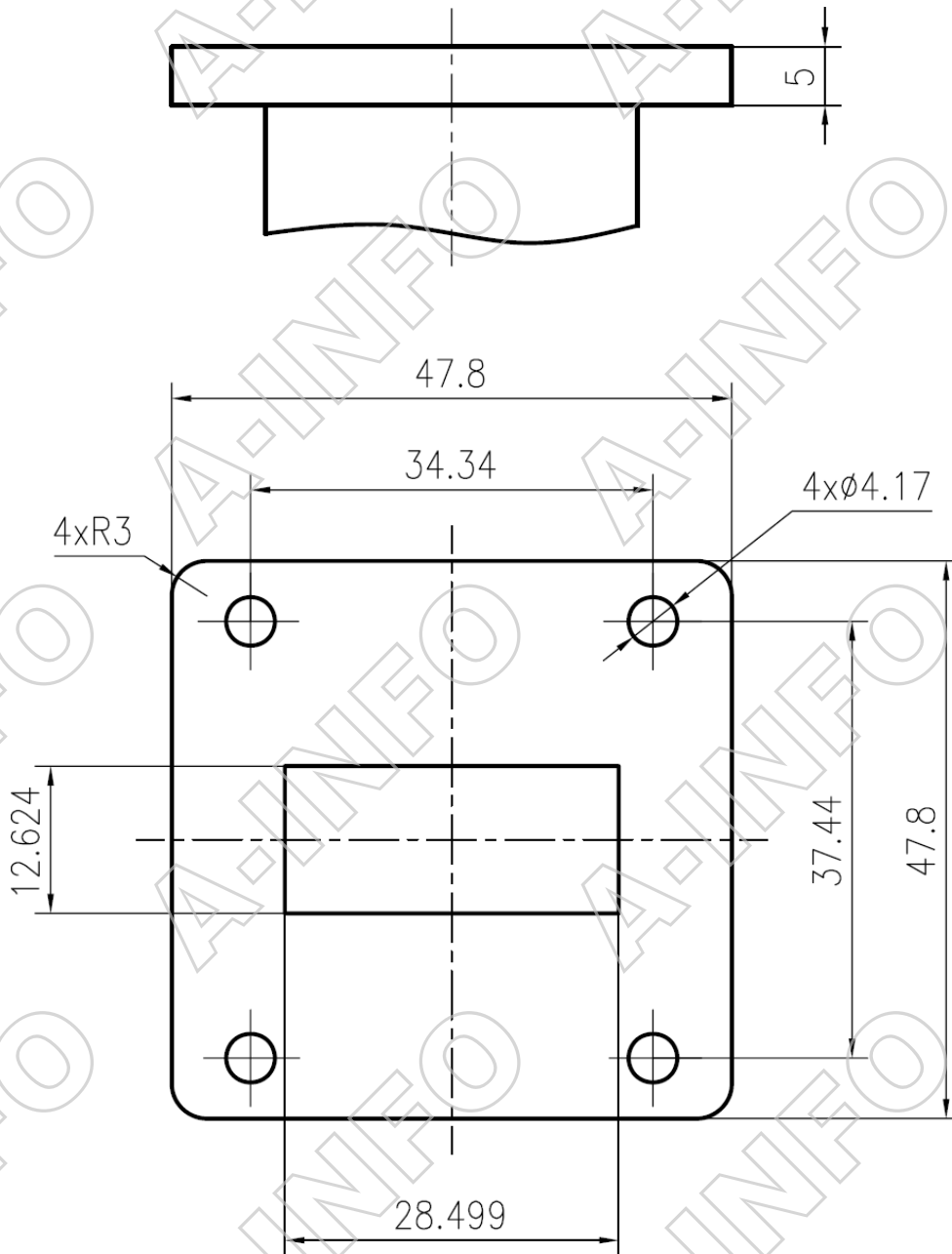


EIA WG	WR112
Frequency Range(GHz)	7.05-10.0
Coupling(dB)	50
Coupling Accuracy(dB)	±0.7
Frequency Sensitivity(dB)	±1.0
Directivity(dB)	18 min
Mainline VSWR	1.05 max
Secondline VSWR	1.25 max
Flange	FBP84
Coupling Port	SMA-Female
Material	Cu
Net Weight(Kg)	0.5 Around

Outline Drawing (Size: mm)



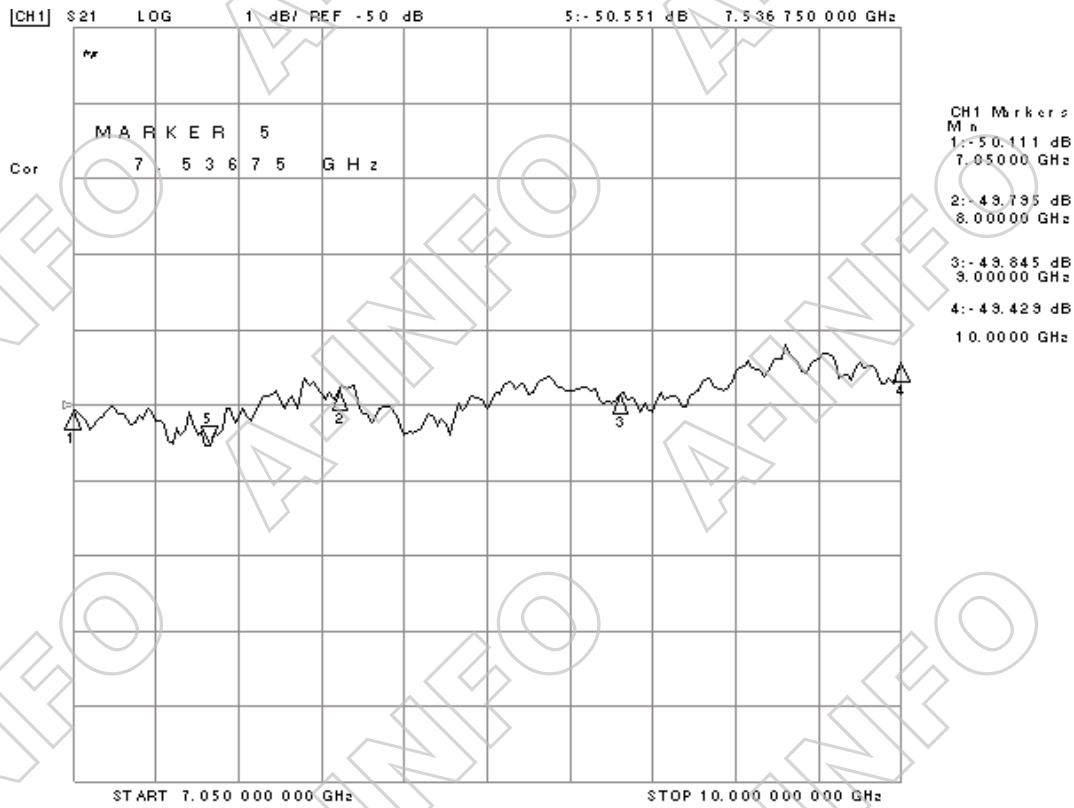
Flange Drawing (Size: mm)



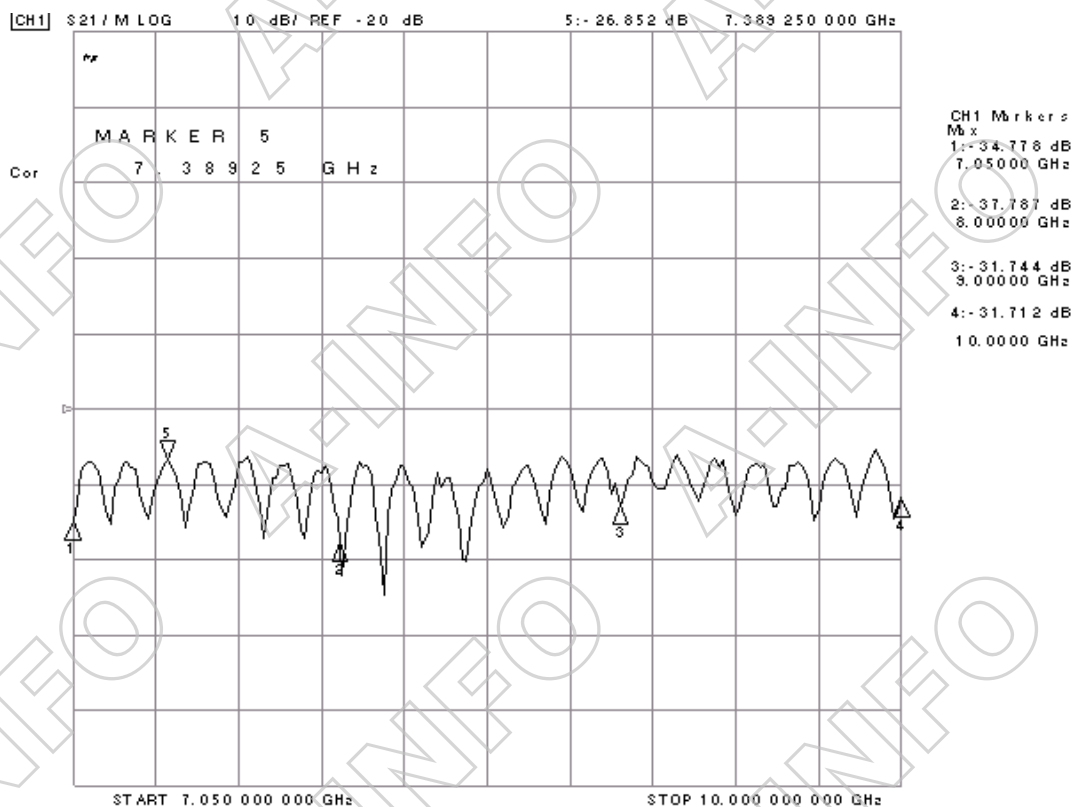
FBP84

Test Results

Coupling

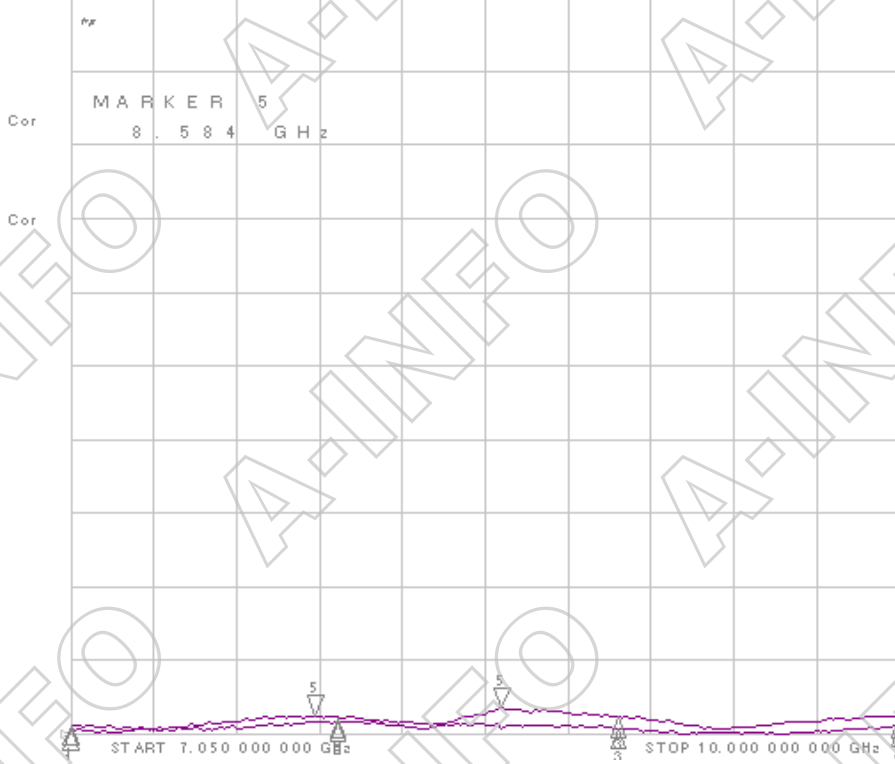


Directivity



Mainline VSWR

[CH1] S22 SWR 100 m / REF 1 5: 1.0357 8.584 000 000 GHz
 CH3 S11 SWR 100 m / REF 1 5: 1.0253 7.920 250 000 GHz

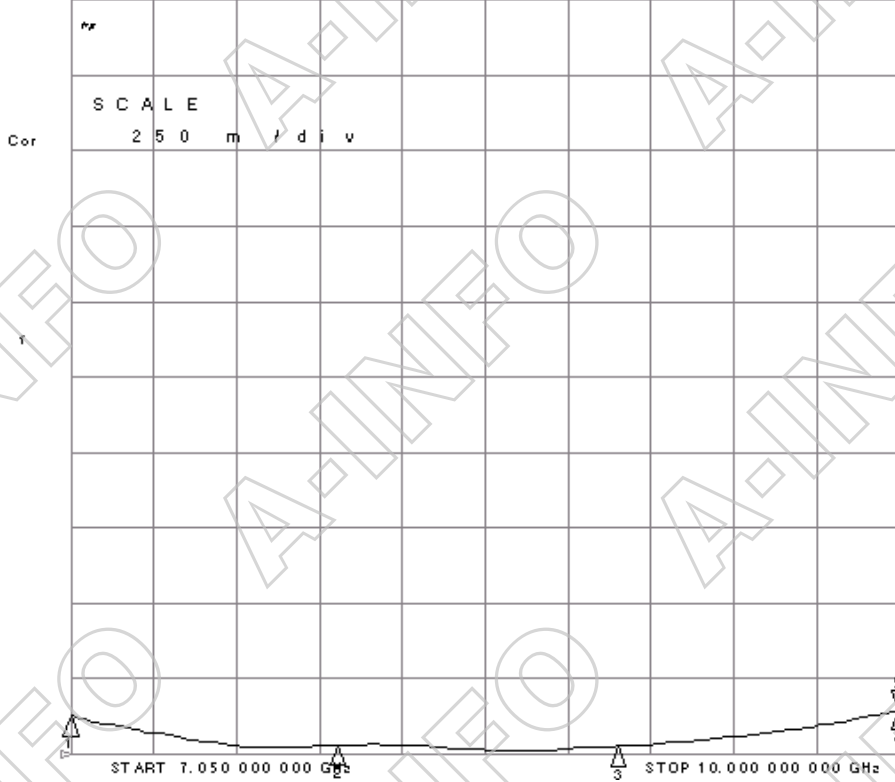


CH1 Markers
Mx
1: 1.0061
7.05000 GHz
2: 1.0163
8.00000 GHz
3: 1.0233
9.00000 GHz
4: 1.0232
10.00000 GHz

CH3 Markers
Mx
1: 1.0117
7.05000 GHz
2: 1.0229
8.00000 GHz
3: 1.0081
9.00000 GHz
4: 1.0038
10.00000 GHz

Secondline VSWR

[CH1] S22 SWR 250 m / REF 1 5: 1.1452 10.000 000 000 GHz



CH1 Markers
Mx
1: 1.1273
7.05000 GHz
2: 1.0314
8.00000 GHz
3: 1.0274
9.00000 GHz
4: 1.1452
10.00000 GHz