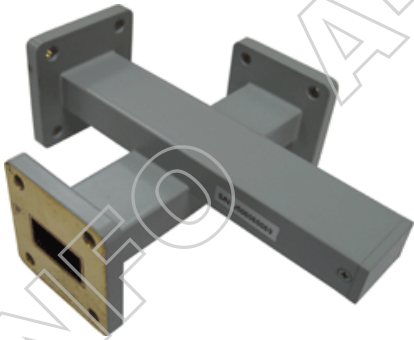
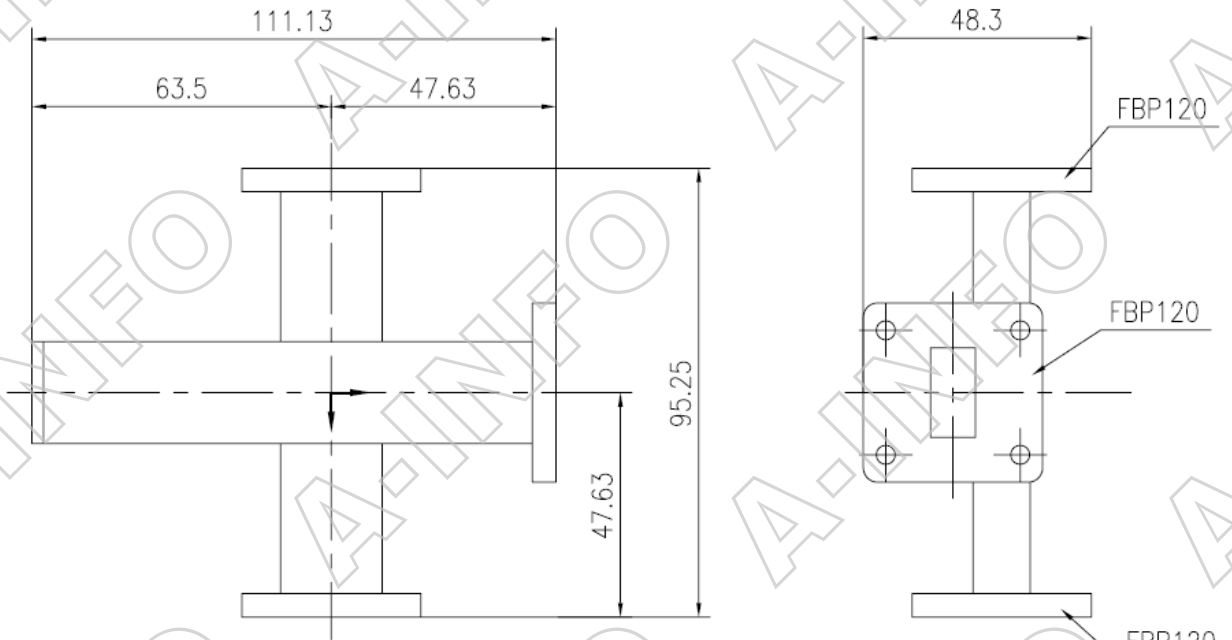


## Technical Specification

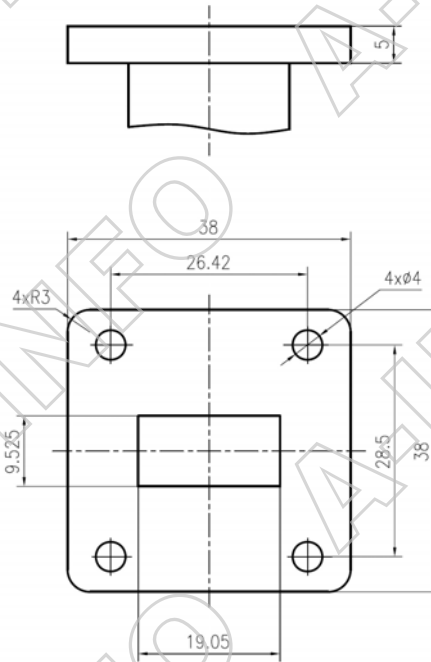


EIA WG	WR75
Frequency Range(GHz)	10.0-15.0
Coupling(dB)	30
Coupling Accuracy(dB)	±0.7
Frequency Sensitivity(dB)	±1.0
Directivity(dB)	18 min
Mainline VSWR	1.10 max
Secondline VSWR	1.10 max
Flange	FBP120
Material	Cu
Net Weight(Kg)	0.30 Around

## Outline Drawing (Size: mm)



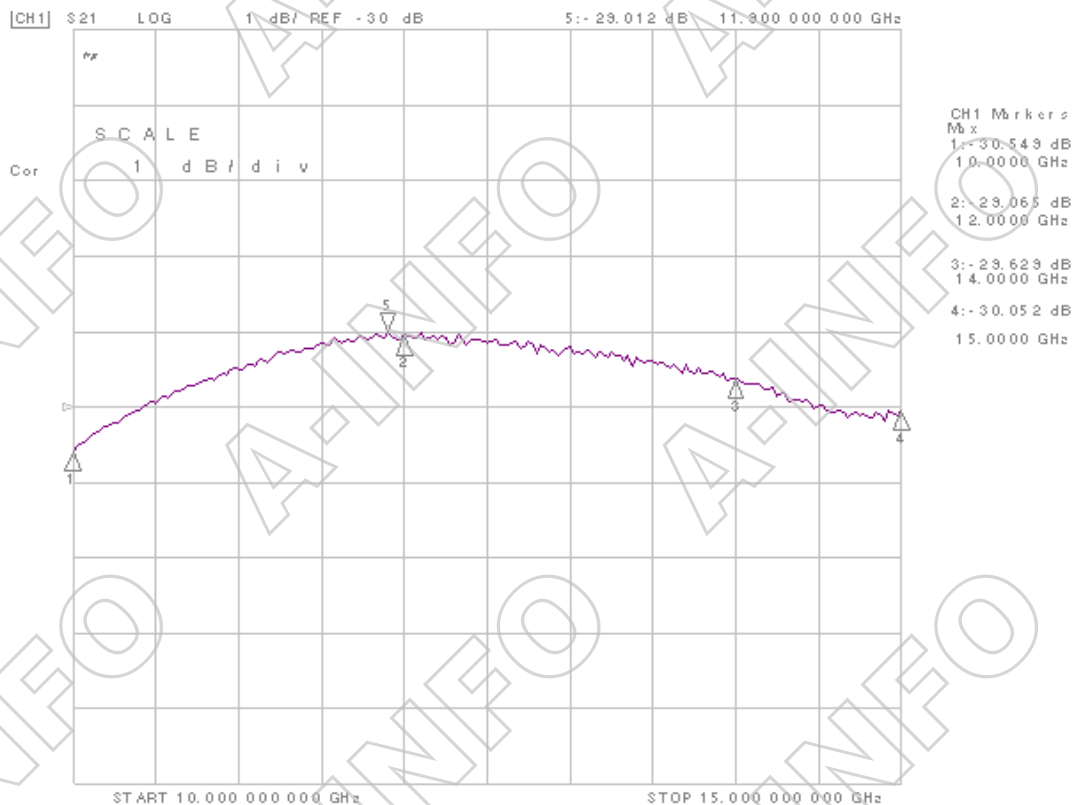
## Flange Drawing (Size: mm)



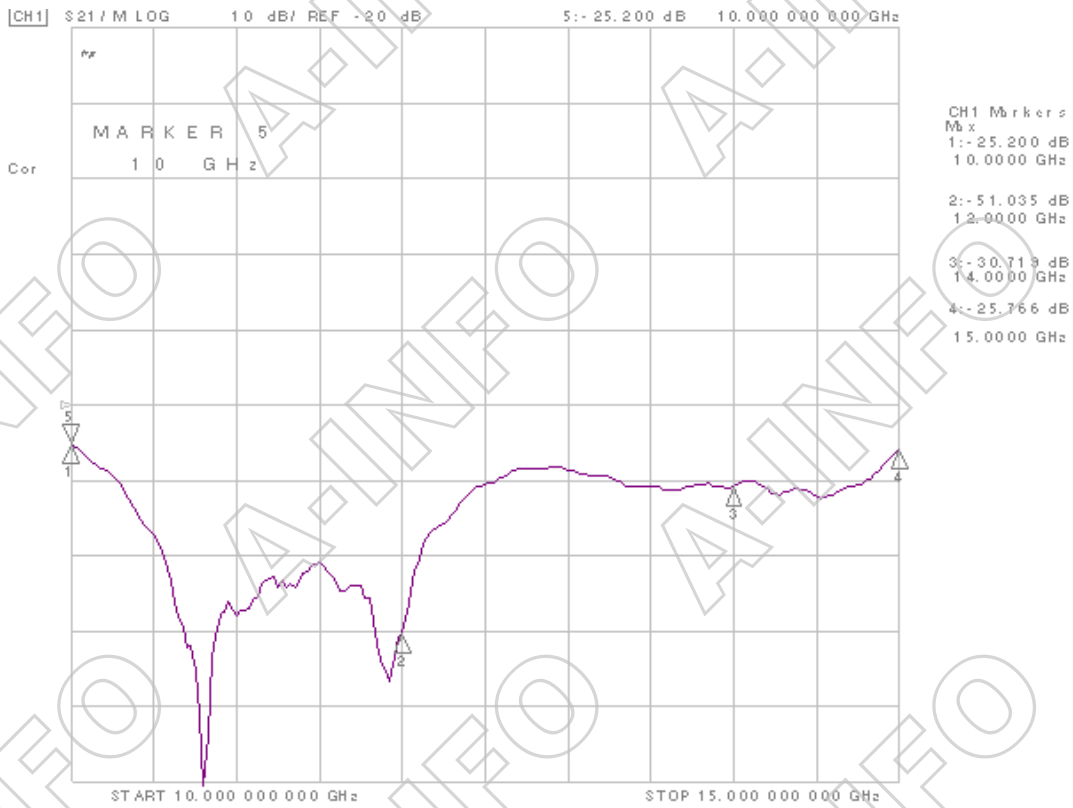
FBP120

## Test Results

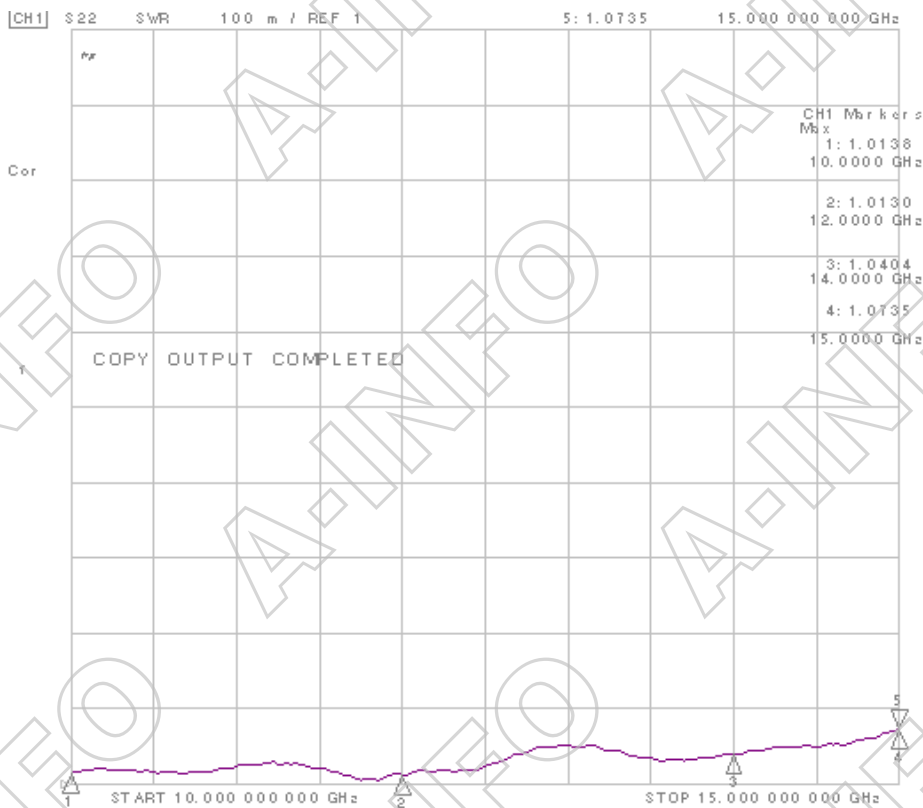
### Coupling



## Directivity

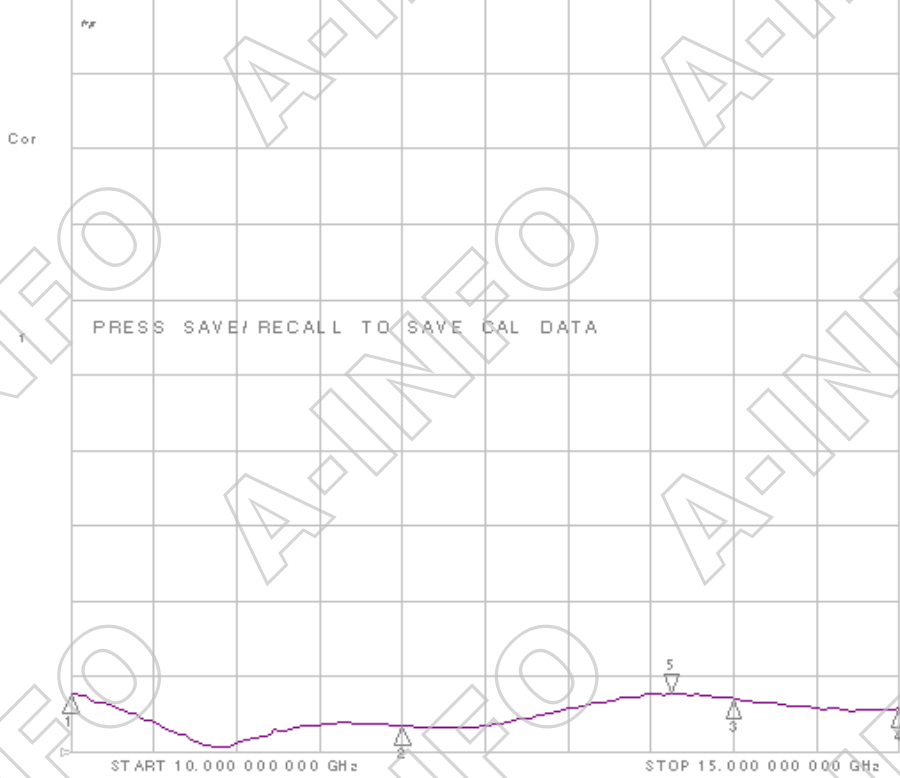


## Mainline VSWR



## Secondline VSWR

[CH1] S22 SWR 100 m / REF 1 5: 1.0783 13.625 000 000 GHz



CH1 Marker s  
Max  
1: 1.0783  
10.0000 GHz  
  
2: 1.0349  
12.0000 GHz  
  
3: 1.0711  
14.0000 GHz  
  
4: 1.0584  
15.0000 GHz