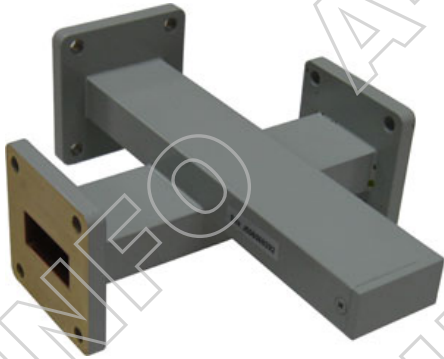
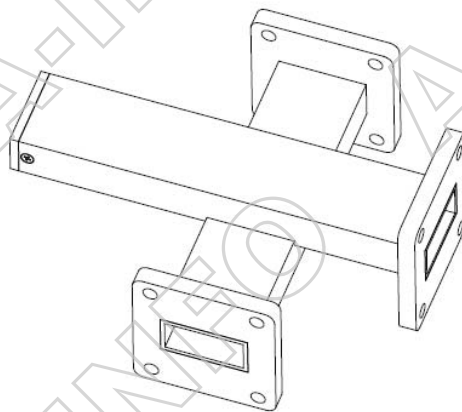
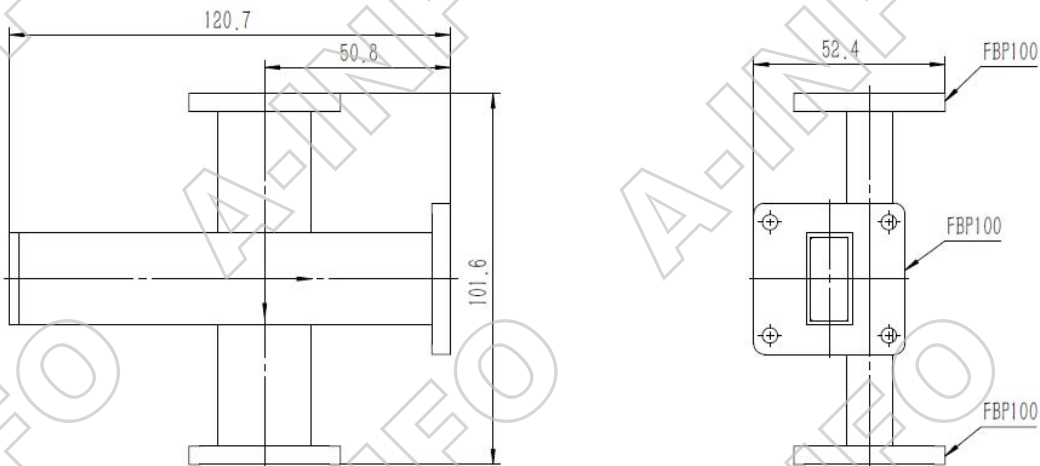


Technical Specification

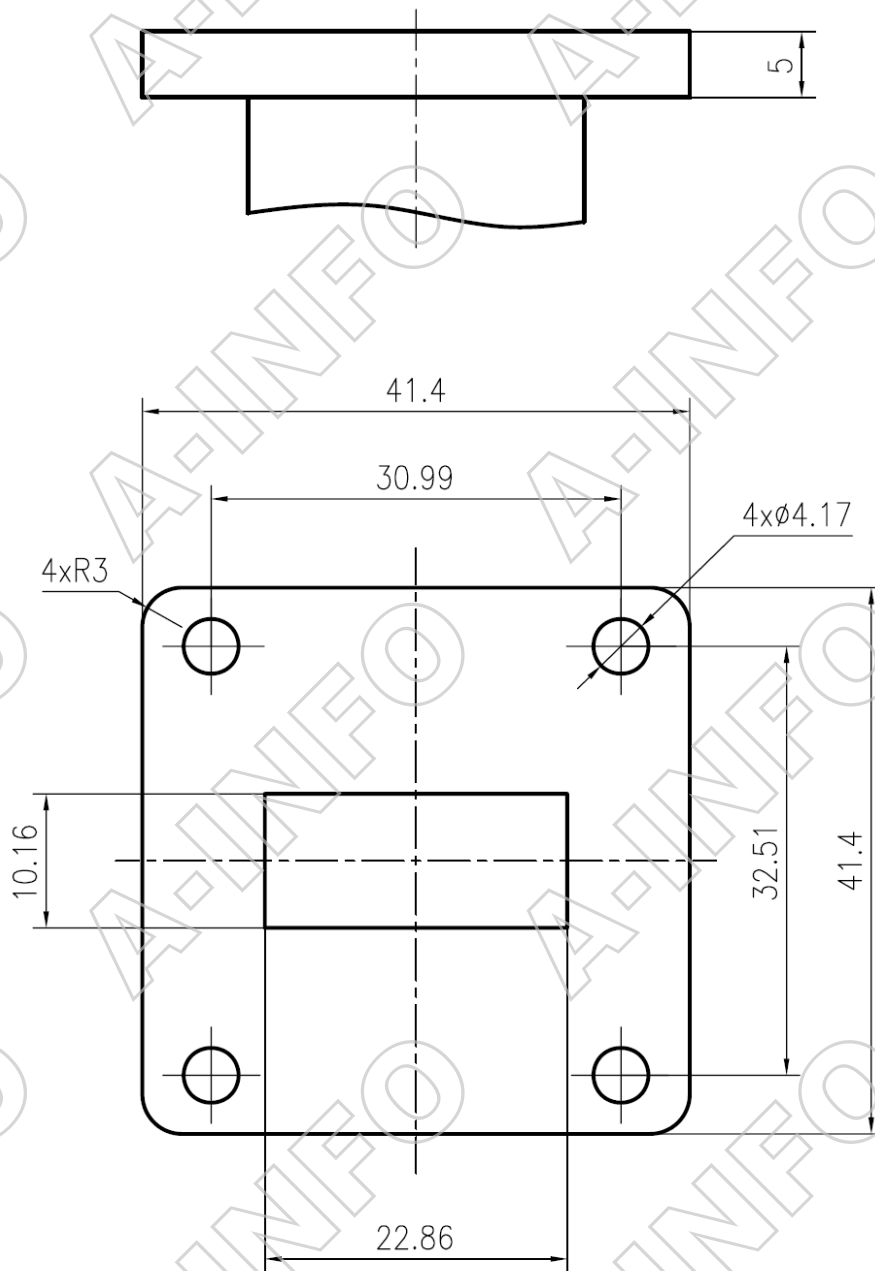


EIA WR	WR90
Frequency Range(GHz)	8.2-12.4
Coupling(dB)	40
Coupling Accuracy(dB)	±0.7
Frequency Sensitivity(dB)	±1.0
Directivity(dB)	18 min
Mainline VSWR	1.05 max
Secondline VSWR	1.10 max
Flange	FBP100
Material	Cu
Net Weight(Kg)	0.36 Around

Outline Drawing (Size: mm)



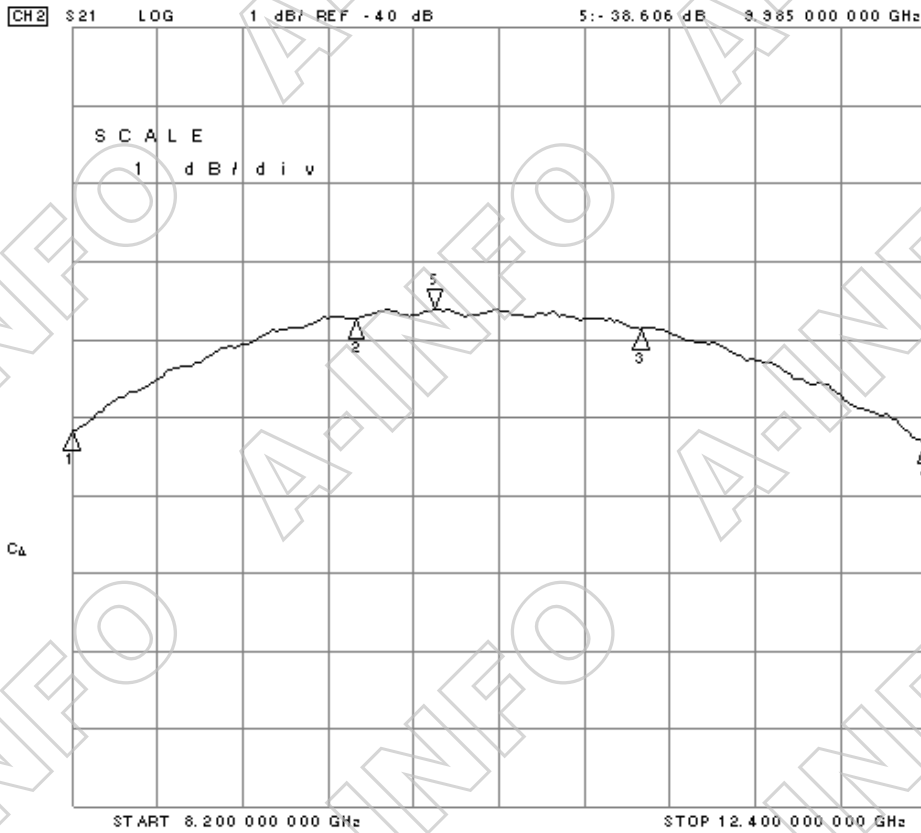
Flange Drawing (Size: mm)



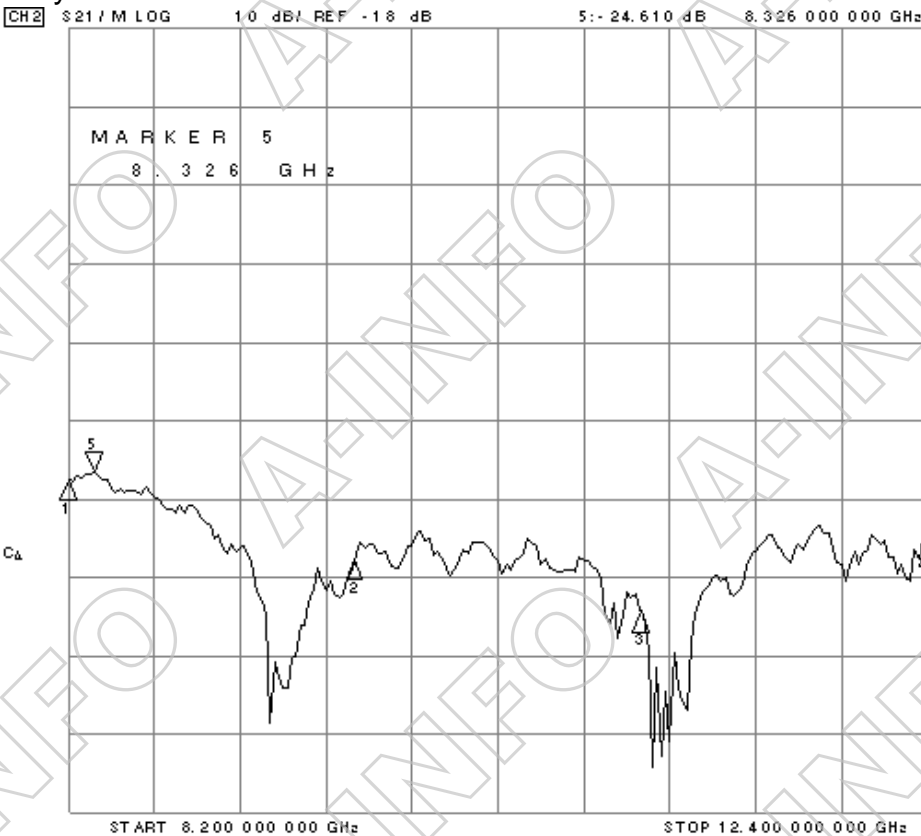
FBP100

Test Results

Coupling

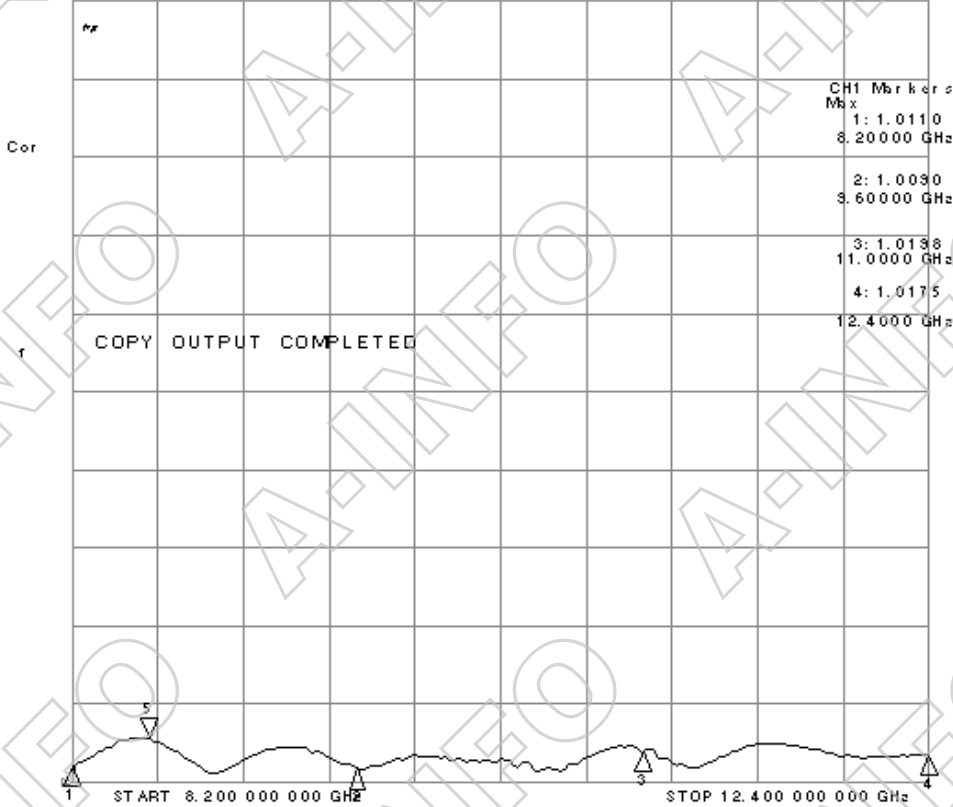


Directivity



Mainline VSWR

CH1 S22 SWR 50 m / REF 1 5: 1.0286 8.578 000 000 GHz



Secondline VSWR

CH1 S22 SWR 100 m / REF 1 5: 1.0804 8.200 000 000 GHz

