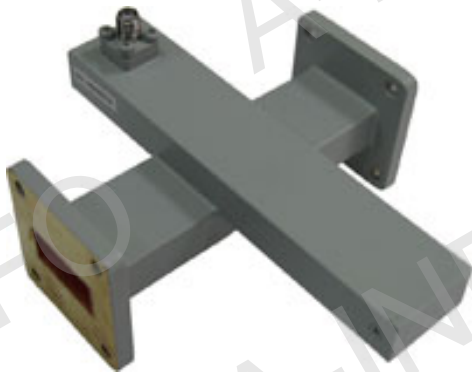


## Technical Specification

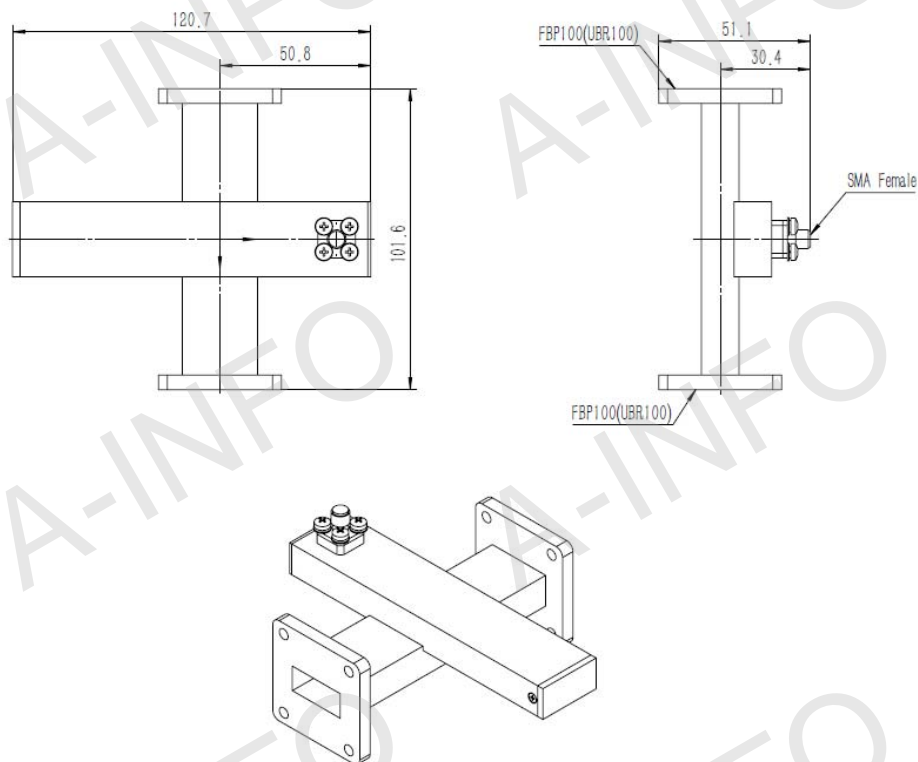


EIA WR	WR90
Frequency Range(GHz)	8.2-12.4
Coupling(dB)	50
Coupling Accuracy(dB)	±0.7
Frequency Sensitivity(dB)	±1.0
Directivity(dB)	18 Min.
Mainline VSWR	1.05 Max.
Secondline VSWR	1.25 Max.
Flange	FBP100(UBR100)
Coupling Port	SMA-Female/SMA-Male
Material	Cu
Net Weight(Kg)	0.35 Around

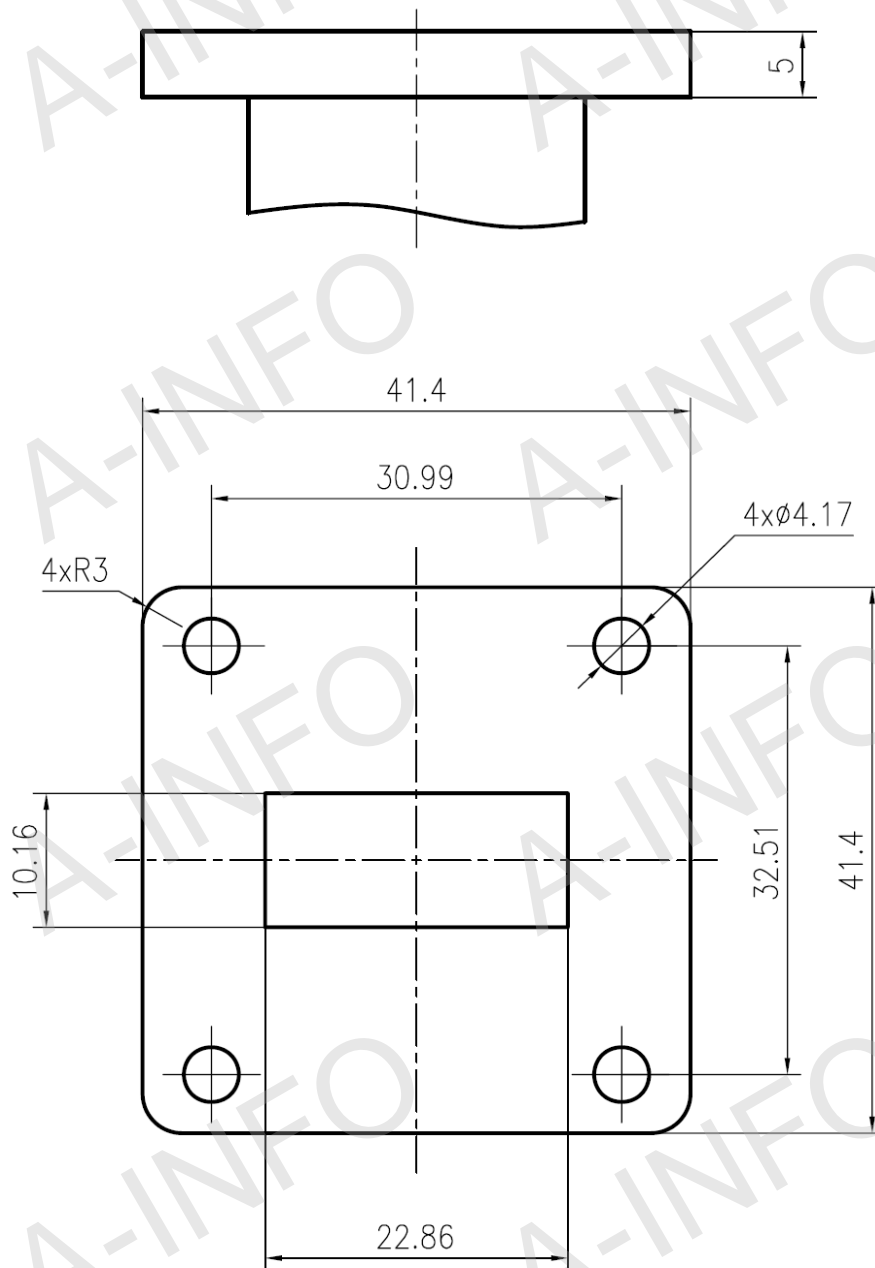
## Outline Drawing (Size: mm)

Coupling Port: SMA -Female

For SMA-Male connector Coupling Port outline drawing, please contact A-INFO.



## Flange Drawing (Size: mm)



## FBP100

AINFO Inc.

Page 2 of 4

China(Beijing):  
China(Chengdu):  
USA :

Tel: (+86) 10-6266-7326,  
Tel: (+86) 28-8519-2786,  
Tel: (+1) 949-639-9688,

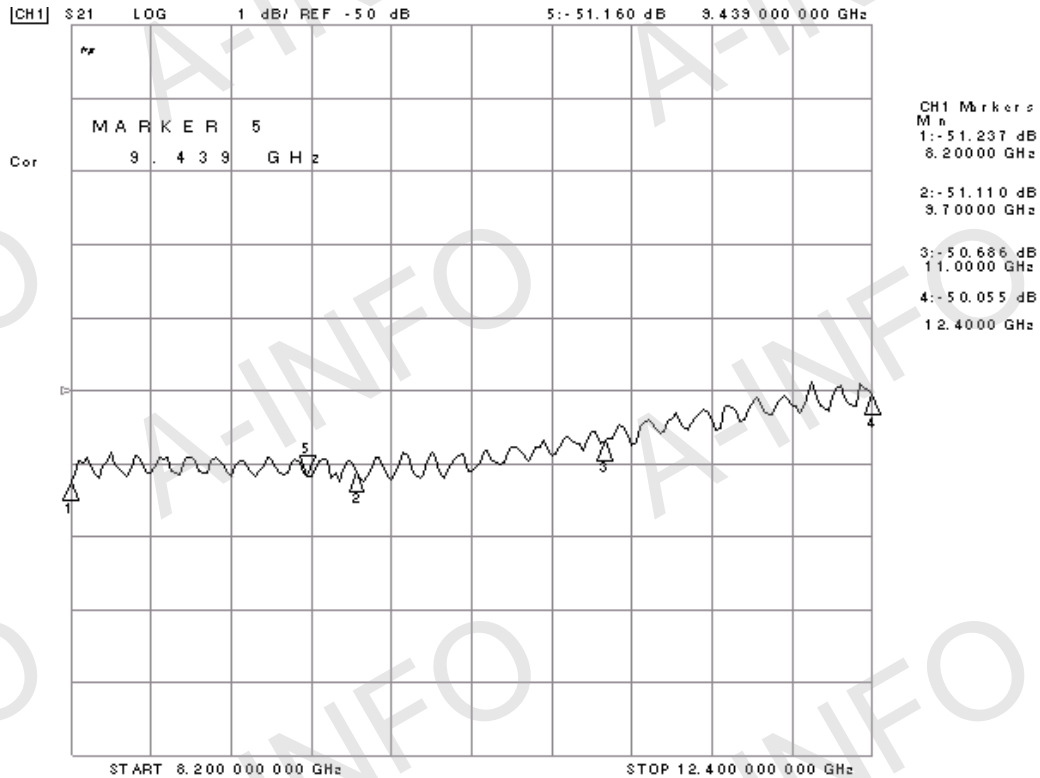
(+86) 10-6266-7327  
(+86) 28-8519-3044  
(+1) 949-639-9608

Fax: (+86) 10-6266-7379  
Fax: (+86) 28-8519-3068  
Fax: (+1) 949-639-9670

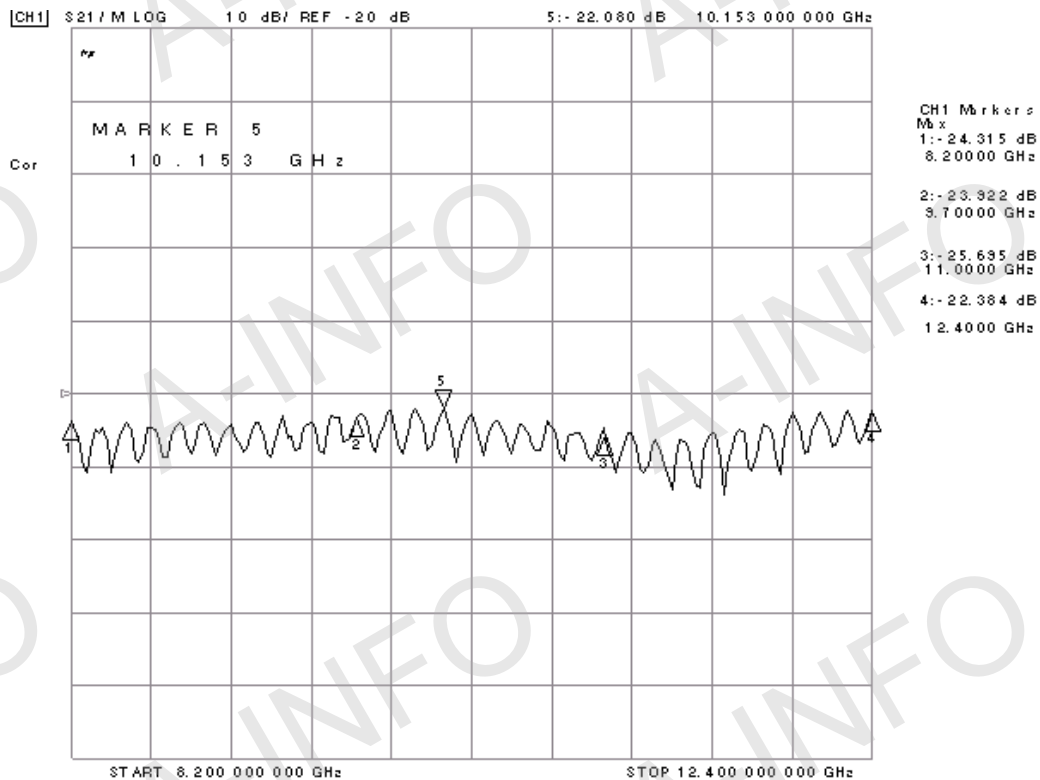
Website: [www.ainfoinc.com](http://www.ainfoinc.com)  
Email: [sales@ainfoinc.com](mailto:sales@ainfoinc.com)

## Test Results

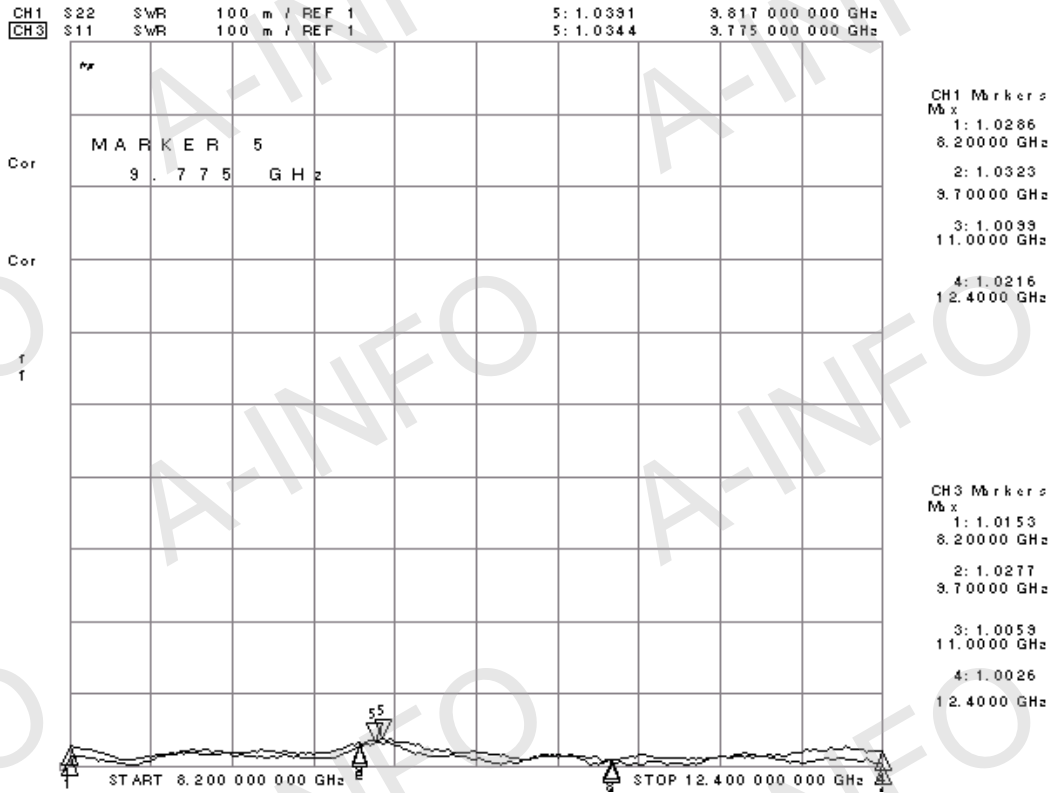
### Coupling



### Directivity



## Mainline VSWR



## Secondline VSWR

